

HCUB1-60 series

HCUB1-125series

MCB

UL489



Contents

Description	page 2
Features	page 2
UL Rated Parameters	page 2
Specifications and Models.....	page 3
Dimensions.....	page 4
Accessories	page 5
Usage Environment	page 6

HCUB1-60 series

HCUB1-125 series

Miniature Circuit Breakers

Describe

HCUB1-60/125 series miniature circuit breakers provide excellent over-current, short-circuit protection and control in AC ON/OFF operating electrical systems, and can also be used for infrequent making and breaking. It can be widely used in computers and their peripheral equipment, industrial automatic control systems, telecommunication equipment, general power supply systems, UPS uninterruptible power supply equipment, railway locomotives, marine electrical systems, aerospace, elevator control systems and mobile power equipment. It has voltage ratings up to 240VAC and currents up to 125A.

Feature

- The new wiring design allows for multiple quick connecting terminals;
- Detachable metal bracket, circuit breaker flush mount, surface mount, or safe removal for DIN35 rail mounting;
- Mechanical switch for manual current interruption;
- switch display indication;
- Performance is not affected by location installation;
- Salt spray test conforms to ASTM B117-500hr;
- UL489.

UL rated parameters

General characteristics	
Rated insulation voltage (V)	690
Certification	UL489
Working altitude (m)	≤2000
Ambient temperature	90-95% relative humidity (40°C/104°F)
Torque	M8 screw 35-44IB
Quality Control Wiring	The female connector should comply with the IEC6070 standard to ensure the reliability of the connection between the busbar connector and the QC terminal
Electrical Characteristics	
Rated Voltage (VAC)	120/240 (1P/2P), 240 (3P)
Rated frequency (Hz)	50/60
Interrupt Capacity (K)	10
Electrical life (times)	6000
Mechanical life (times)	10000

Specifications

HCUB1-60/125 Series Miniature Circuit Breakers

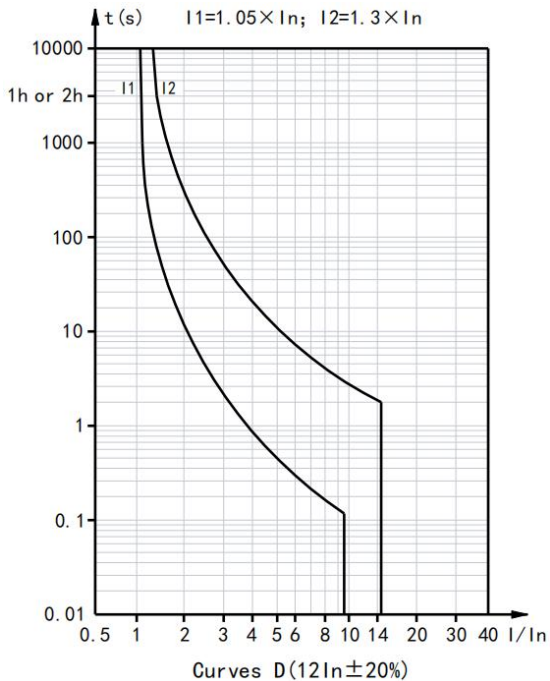
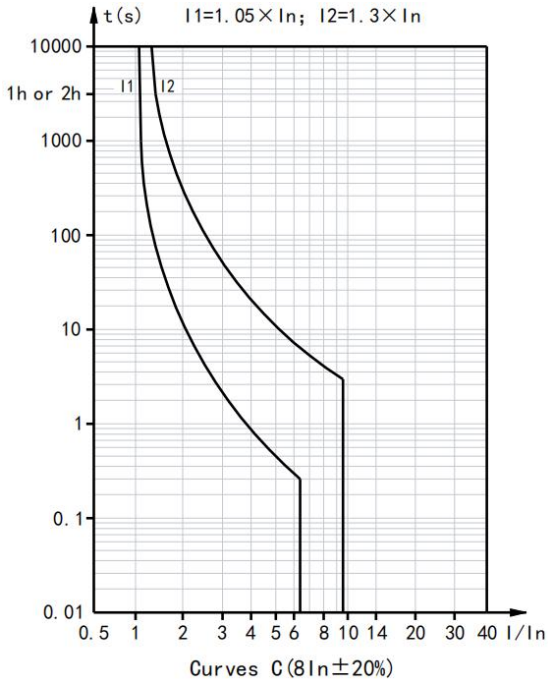
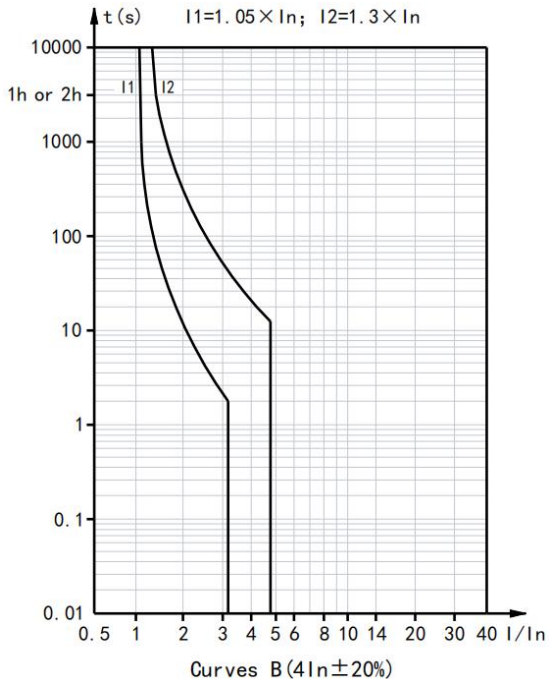
HCUB1 - 60 C 60 H / 2 BB D - MF1
 1 2 3 4 5 6 7 8 9

Serial number	Type	HCUB1-60	HCUB1-125
1	HCUB1	"Hecheng" brand MCB for low voltage equipment	
2	Frame class	60	125
3	Instantaneous Tripping Type IEC/EN 60947-2	B(4±20%), C(8±20%), D(12±20%)	
4	Rated current (A)	5, 10, 15, 20, 25, 30,35, 40, 45, 50, 60	70, 80, 90, 100, 125
5	H	Blank is 120/240VAC, "H" is 240VAC AC circuit breaker	
6	Number of poles	1 1 pole 2 2 poles 3 3 poles (See Table 3 for the interrupting capacity corresponding to the voltage)	
7	Wiring	BB: BB type terminal block / terminal block BQ: Box quick wiring terminal/QC quick wiring terminal	
8	Installation method	D: DIN35 rail installation S: Surface Mount	
9	Accessories	MF1: 1P Mounting Foot HT: Cascade rod SC: Safety cover HS: Handle Safety Lock QC1 forward (reverse) quick connector QC 2 side quick connector QC 3 Ring Tongue Terminal Block	

Table (3) Breaking capacity

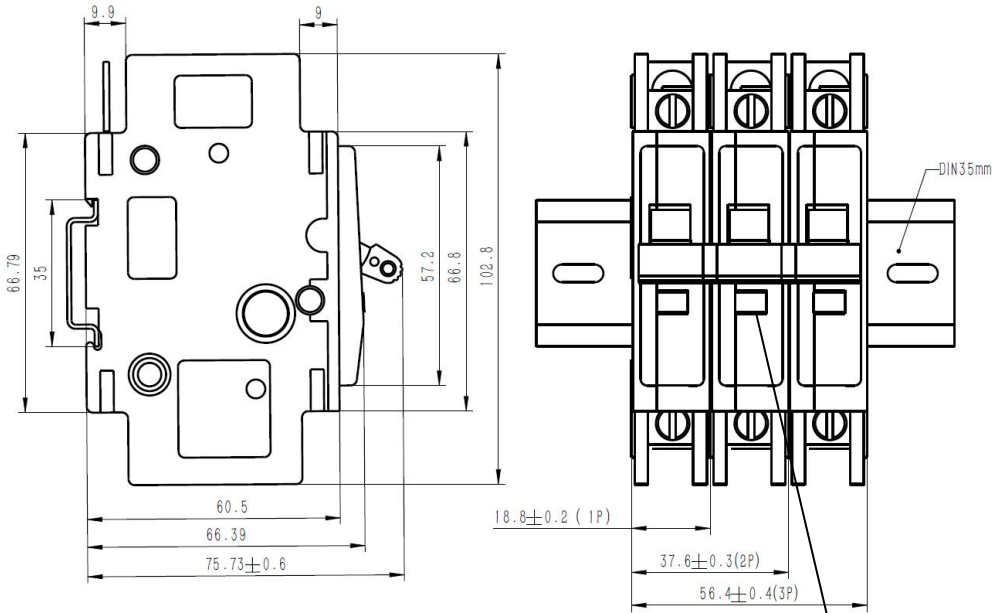
UL standard evaluation	HCUB1-60			HCUB1-125		
Series	1P	2P	3P	1P	2P	3P
Rated voltage (V)	AC120/240		AC240	AC120/240		AC240
Interrupt capacity (according to UL489)	10kA		10kA	10KA		10KA

Circuit breakers tripping curves (According to IEC/EN 60947-2 reference temperature 25 °C)



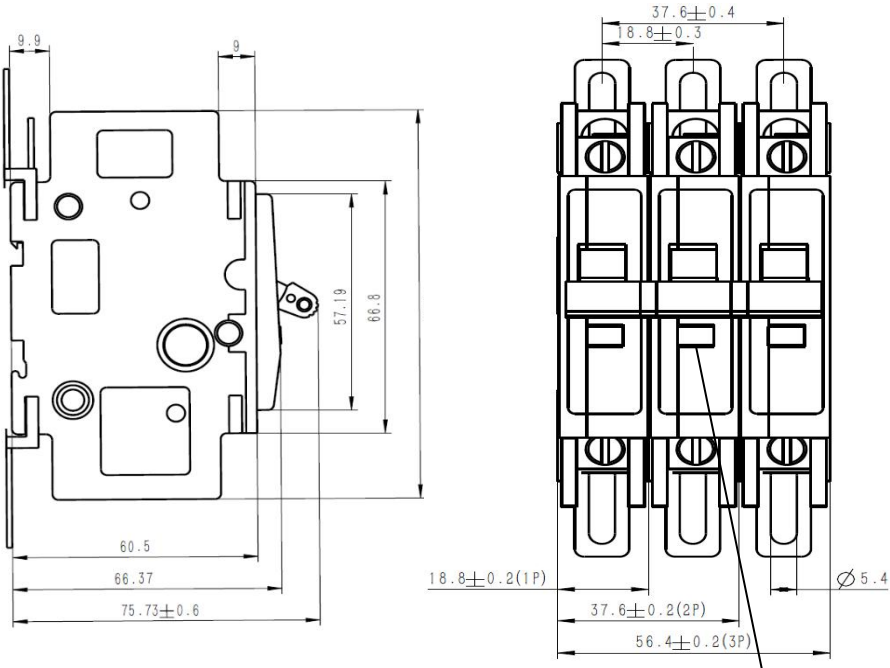
Dimensions

DIN rail mounting




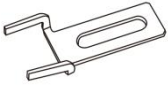
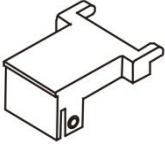

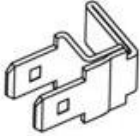
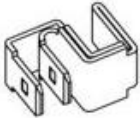
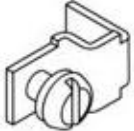
Visual switch window Open shows green, closed shows red.

Mounting foot installation



Visual switch window Open shows green, closed shows red.

Accessories

Accessories	Icon	Describe	Order number
Cascade rod		Connect the two circuit breakers together	HT
Mounting feet		For mounting 1 -pole, 2-pole, 3-pole circuit breakers (Requires 2 mounting feet per circuit breaker)	MF1
Insurance cover		For 1 -pole, 2-pole, 3-pole circuit breakers 2 fuse covers are required per circuit breaker)	SC
Handle safety lock		Handle locking attachment secures handle in on or off position	HS
Quick Connector		For forward or reverse circuit breaker wiring	QC1
Quick Connector		For side circuit breaker wiring	QC2
Quick Connector		For ring tongue terminal circuit breaker wiring	QC3

Use environment

- A** Quality problems caused by unauthorized disassembly of the product are at your own risk.
- B** Do not touch the exposed parts of the non-insulating parts of the circuit breaker with your hands when the power is on.
- C** The wiring must be reliable to prevent the circuit breaker from malfunctioning due to abnormal heating of the terminal or causing the terminal to burn.
- D** When installing the product, please keep a certain distance in the direction of the arc outlet (Line side) of the product to avoid short circuit after the arc is ejected.
HCUB1-125 is 80mm or more
- E** The specification of the nut wire frame on the product is 35mm², and the tightening torque during installation is 2.5Nm.
- F** For multi-pole products, the handle should be operated in the middle position, and the time should be less than 1s when the product is normally opened and closed.
- G** The actual position of the circuit breaker contacts must be obtained by visual inspection of the handle position, or by the auxiliary switch of the series pole of the circuit breaker.